



**BEM5  
ELECTROMAGNET  
Holding Power ON**

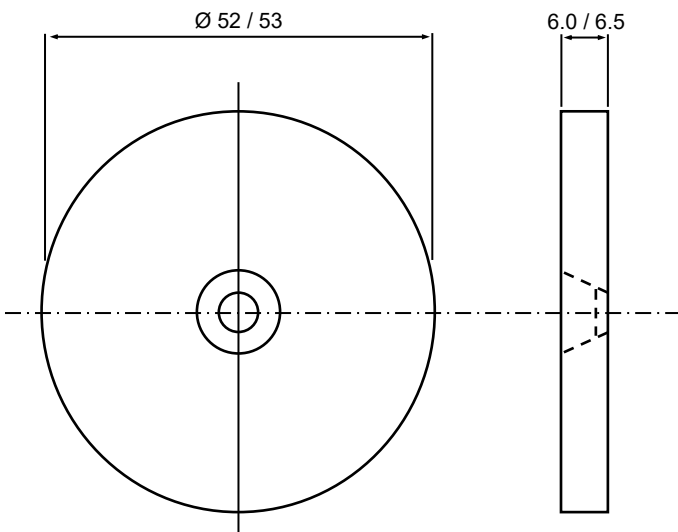
This magnet exerts a holding force of approximately **55 Kgf** perpendicular to any steel plate (see accessories) with which it is in contact, assuming nominal voltage, and coil at working temperature rise of 60°C in an ambient of 20°C.

- Voltage range **6 - 240 VDC**
- Power consumption - **5 Watts**
- Minimum steel plate thickness - **5mm**
- (Note that a magnet has little resistance to a sliding force)
- Temperature Class B (130°C)
- Supply - **DC or full-wave rectified AC**
- Protection rating - **IP40**
- Finish - **Zinc Passivate**
- Weight - **500g**

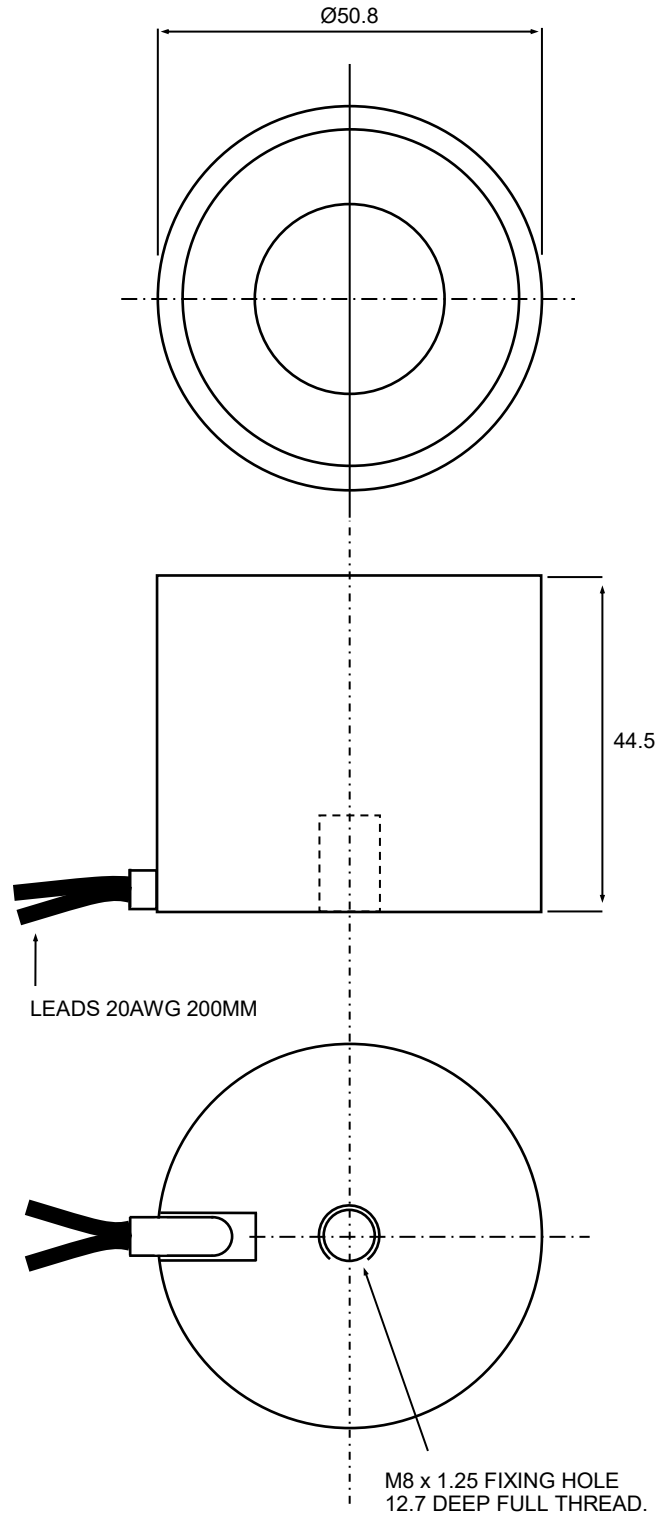
The low wattage and temperature rise give maximum reliability and minimum power consumption on the remote control latches, shutters, fire doors etc. to which this magnet is frequently applied.

- Ordering Code -**  
 BEM5 / 04 / 12V / 5W  
 BEM5 / 02 / 24V / 5W

**Accessory Option  
Catch Plate 2693**



Fix with M5 countersink screw, (not supplied).



DIMENSIONS IN MM

*We reserve the right to alter or amend designs without prior notice.*

**HE & BS Benson Ltd**

**1 Laureate Industrial Estate, Exning Road, Newmarket, Suffolk UK CB8 0AR**

BEM5 Rev 6 - 2019